

  
**SolaraShade™**



## Shades that inspire

The perfect complement to your Four Seasons Sunroom®



## Enhance your Sunroom Experience

Enhance the beauty, functionality, comfort and value of your Four Seasons Sunroom® with the SolaraShade™ Shading System by Brading. SolaraShade™ is designed to maximize the benefits of your Four Seasons Sunroom®, Conservatory, or Patio Room. This specially designed shading system will:

- Add comfort by moderating temperature fluctuations
- Allow you to enjoy natural light while maintaining full privacy
- Match your decor and add style to your sunroom experience
- Control glare for better reading, computer use or watching TV
- Help protect your furniture and fabrics from fading
- Save you money on energy costs



### COMFORT

SolaraShade™ adds comfort to your sunroom by working in conjunction with Four Season's Conservaglass Select™. Additionally, SolaraShade™ is exceptionally efficient at moderating seasonal temperature fluctuations.



### PRIVACY

All SolaraShade™ fabrics are translucent enough to let natural light pass thru yet opaque enough to maintain complete privacy. Individual adjustment of blinds can create selective privacy with an optional bottom stacking application yet allow full view of the sun or stars.



### A PERFECT MATCH

SolaraShade™ fabrics are available in colors that perfectly complement your Four Seasons Sunrooms and furnishings. SolaraShade™ fabrics blend with any decor by creating a neutral, soft natural light filtering appearance similar to a "Japanese shoji screen".



### GLARE CONTROL

The sun's glare can sometimes interfere with the enjoyment of your sunroom. SolaraShade™ blinds can be individually adjusted for dramatic glare reduction allowing you to read a book, watch TV or work on your computer in complete comfort.



### PROTECTION

Long term exposure to UV light can damage and fade your expensive furniture and fabrics. SolaraShade's UV resistant backing reduces UV light by up to 99%. This will protect and extend the life of your valuable furnishings while allowing ample natural light to nurture light sensitive plants and flowers.



### ENERGY SAVINGS

SolaraShade's blind design is combined with a tight fitting tracking system to help trap air and create a double layer of "insulation" - one inside the honeycomb cell and another between the back of the fabric and glass. This creates a highly energy efficient shading system.

SolaraShade™ is a high quality, high performance shading system designed and fabricated by Brading Fabrication Limited exclusively for Four Seasons Sunrooms®. Established in 1979, Brading's strategy has always been to provide customers with shading systems that will last for many years. That is why SolaraShade™ fabrics and hardware are engineered to withstand seasonal temperature fluctuations as well as damaging ultraviolet light.

## PROVEN DESIGN FOR LONG LASTING VALUE

SolaraShade™ is a proven shading system that integrates a durable, long lasting blind fabric with a smooth flowing tracking system to provide you with unmatched quality and enduring value. SolaraShade™ 100% non-woven polyester fabric is spun to create a high quality textile which offers long term durability. The fabric's uniform white backing provides reflection of radiant heat while maximizing light penetration and presents a clean uniform exterior appearance.

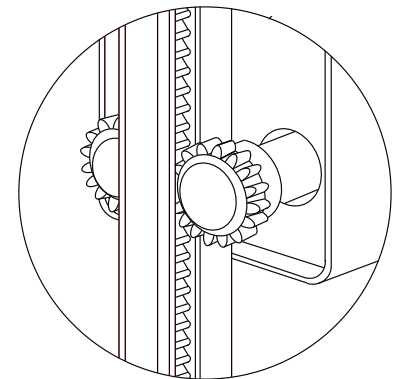
The unique SolaraShade™ tracking system is designed to work harmoniously with the honeycomb fabric for years of flawless operation and is backed by a five year warranty. The use of UV and heat resistant polycarbonate plastic or colored aluminum tracking materials blend perfectly with any of the Four Seasons' glazing bars whether wood or aluminum. The plastic tracks in particular are supplied "optically clear" and virtually disappear upon installation. SolaraShade™ blinds are notched at the ends to invisibly guide the blinds in a smooth flowing manner. Our design allows the shades to conform perfectly to the curvature of the solarium while providing a leak resistant "thermal air blanket" to greatly reduce energy costs.

All SolaraShade™ fabrics easy to maintain. They can be cleaned by dusting or gentle vacuuming and washed with damp sponge with mild soap solution.

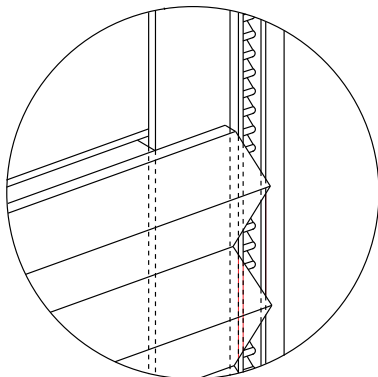


## SMOOTH FLOWING TRACKING HARDWARE

Engineered for long term use, the innovative gear driven tracking system keeps blind fabric securely in place while creating a "thermal air blanket" to save energy costs. Our "optically clear" polycarbonate plastic tracking system option is virtually invisible when the blinds are retracted.



DRIVE WHEEL DETAIL



NOTCHED FABRIC DETAIL

## ENERGY EFFICIENT HONEYCOMB FABRIC

The fabric's honeycomb design and uniform white backing provide exceptional thermal insulating properties, while maximizing light penetration and providing a clean uniform exterior appearance. Available in the slim 3/8" or the larger 3/4" formats, these blinds virtually disappear when not in use by compressing to about 5% of their expanded size.

# SolaraShade™ Product Models



## STRAIGHT

Designed to work in Four Seasons Sunrooms, Screen Rooms and Seasonal Rooms that utilize straight glass wall panels.

## CURVED

For Use with Four Seasons Curved Eave Solarium Designs.

## CATHEDRAL

Works with Four Seasons Cathedral type Sunrooms and Patio Enclosures

## CONSERVATORY

Engineered for the particularly challenging angles of the Four Seasons Conservatory designs.

## SOLARASKY

Designed for Skylights used in Four Seasons Screen Rooms and Seasonal Rooms.

## WINDOWS

Hunter Douglas Duette® honeycomb shades are the industry's proven leader in both style and innovation.

Models	Aluminum Frame	Wood Interior	SolaraShade™ Tracking System	Standard Fabrics*	Lite Fabrics**	Fabric Cell Size
<b>SolaraShade™ Straight</b>	√	-	Aluminum or Lexan™	√	√	3/8" or 3/4"
	-	√	Lexan™	√	√	3/8" or 3/4"
	-	-	Aluminum	√	√	3/8" or 3/4"
<b>SolaraShade™ Curved</b>	√	-	Lexan™	√	-	3/4"
	-	√	Lexan™	√	-	3/4"
<b>SolaraShade™ Cathedral</b>	-	-	Aluminum or Lexan™	√	√	3/8" or 3/4"
	-	√	Lexan™	√	√	3/8" or 3/4"
	-	-	Aluminum	√	√	3/8" or 3/4"
<b>SolaraShade™ Conservatory</b>	√	-	Aluminum or Lexan™	√	√	3/8" or 3/4"
	-	√	Lexan™	√	√	3/8" or 3/4"
	-	-	Aluminum	√	√	3/8" or 3/4"
<b>SolaraSky™</b>	√	-	Aluminum	-	√	3/8" or 3/4"

\* Standard fabrics are backed by a 5 year warranty \*\* Lite fabrics are backed by a 3 year warranty. Note: SolaraShade™ is not recommend for vinyl cladding application.



Tel: 1-888-61-SHADE (74233)  
 Fax: 1-877-31-SHADE (74233)  
 Email: info@solarashade.com

For consultation on how to enhance your Four Seasons Sunroom® experience through the use of SolaraShade™ Shading Systems, please contact your Four Seasons Sales Representative or visit [www.solarashade.com](http://www.solarashade.com).

